

Sensorbutton TS 17



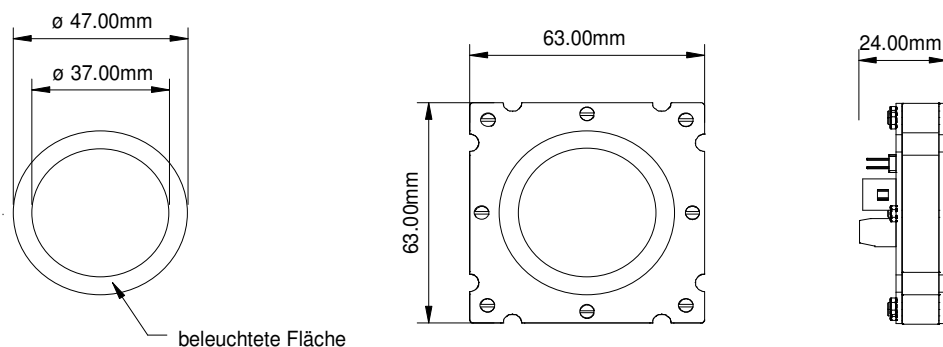
The digital, capacitive sensor pushbutton TS 16 is perfectly suited for being mounted behind glass, which makes it vandal-resistant. The pushbutton is equipped with a surrounding LED acknowledgement that is available in the colours red, green, blue white and yellow.

AT ONE GLANCE

- Size Ø 47 mm
- Installation height 24 mm
- Glass Thickness up to 30 mm
- 1 connection option

- Digital, capacitive sensor pushbutton - Ø 47mm.
- Acknowledgement through SMD-LED; colours red, green, blue, white and yellow
- The pushbutton is stuck on the reverse on the printed glass. Glass Thickness max: 30 mm

Dimension Diagram








Sensorbutton TS 17

Voltage: 24 V (emergency call 12V)
 Power consumption: Acknowledgement 140 mA
 Sensor 30 mA
 Switching capacity max. 1A / 24V DC 0,5 A / 120 V AC
 Connection: 1 connection option

Connection options

A	Screw connectors 1,5 ² (Conventional)
----------	--

Button TS 17	LED		red	TS170201
			green	TS170202
			blue	TS170203
			white	TS170204
			yellow	TS170205