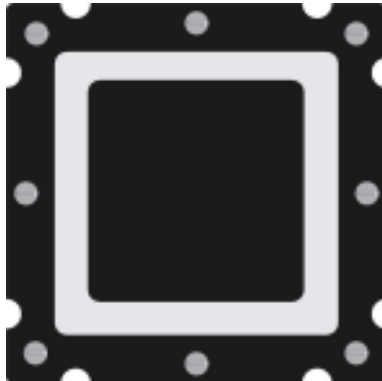


Sensorbutton TS 16



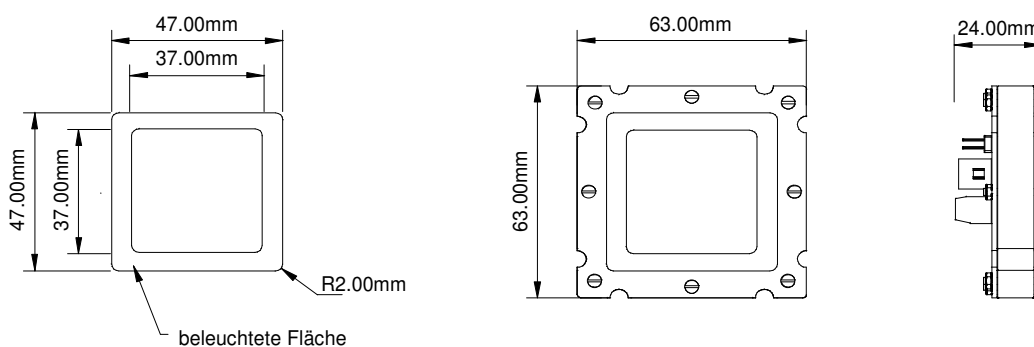
The digital, capacitive sensor button TS 16 is perfectly suited for being mounted behind glass, which makes it vandal-resistant. The pushbutton is equipped with a surrounding LED acknowledgement that is available in the colours red, green, blue white and yellow.

AT ONE GLANCE

- Size 47 x 47 mm
- Installation height 24 mm
- Glass Thickness up to 30 mm
- 1 connection option

- Digital, capacitive sensor pushbutton - 47 x 47mm.
- Acknowledgement through SMD-LED; colours red, green, blue, white and yellow
- The button is stuck on the reverse on the printed glass. Glass Thickness max: 30 mm

Dimension Diagram



Pushbutton TS 16

Voltage: 24 V (emergency call 12V)
Power consumption: Acknowledgement 140 mA
Sensor 30 mA
Switching capacity max. 1A / 24V DC 0,5 A / 120 V AC
Connection: 1 connection option

Connection options

A	Screw connectors 1,5 ² (Conventional)
----------	--

Button TS 16	LED	▶	red	TS160201
		▶	green	TS160202
		▶	blue	TS160203
		▶	white	TS160204
		▶	yellow	TS160205