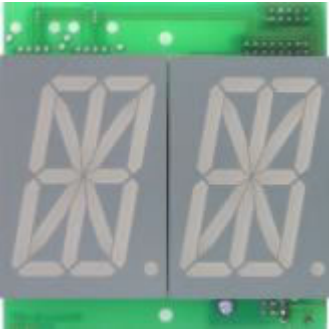


Segmented Display AS 02

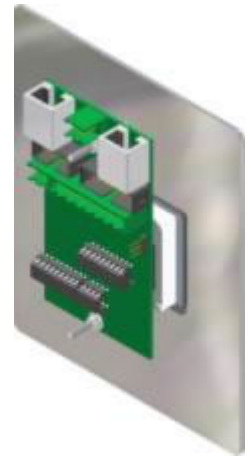
2 x 16 - 57



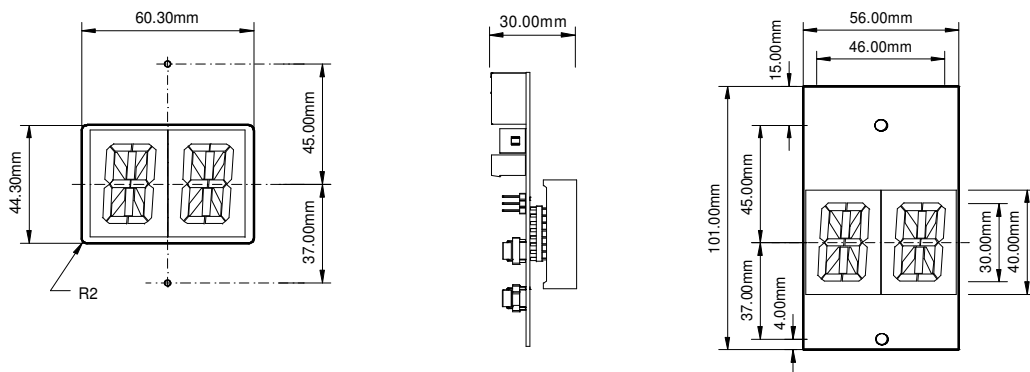
Individually programmable Floor indicator
 Font size 57 mm / 16 - Segment
 Fluorescent colours red, green
 Additional connection for indication of driving direction SA35 (50)-PF

Display is mounted by 2 welded-stud fasteners M 3 x 30 on the rear of the face plate.
 Thickness of face plate: 2 mm

Controls :	Graycode, 1 out of N, Binarycode
Supply Voltage:	12 – 24 V / DC
Power consumption:	without Arrow SA 35-PF = 12V approx. 90mA / 24V approx. 70mA With Arrow SA 35-PF = 12V approx. 130mA / 24V approx. 100mA
Connection:	Screw connectors , Ribbon cable / 16 pin, RJ45 (Patch-) cable, 8 pin + shield, Cat 5 Ribbon cable / 10 pin for SA 35-PF



Dimension Diagram



Cover plate cut-out

Installation depth with standard connection min. 45 mm

Segmented Display AS 02

Pincon-figuration FBK 16 pin	Pincon-figuration Screw connectors	Signal Graycode Max. 49 Stops	Signal 1 out of N Max. 8 Stops	Pinconfiguration RJ 45 Signal Graycode 15 Stops
1	1	Graycode A	Picture 1	1 = Graycode A
2	2	Graycode B	Picture 2	2 = Graycode B
3	3	Graycode C	Picture 3	3 = Graycode C
4	4	Graycode D	Picture 4	4 = Graycode D
5	5	Graycode E	Picture 5	
6	6	Graycode F	Picture 6	
7	UP	Arrow up	Arrow up	5 = Arrow up
8	DN	Arrow down	Arrow down	6 = Arrow down
9	-	Minus (-)	Minus (-)	7 = Minus (-)
10	+	Plus (+)	Plus (+)	8 = Plus (+)
11	7		Picture 7	
12	8		Picture 8	

Pin 13 – 16 = not connected

If a 2 digit floor and a driving direction display is required, please add the arrow display SA 35(50)-PF.

Pinbelegung Ribbon cable Connection SA 35-PF	7 = Arrow up	9 = Minus (-)
	8 = Arrow down	10 = Plus (+)

16 Seg. Anzeige AS 2x16-57 freely-programmable , double digit , 57mm	Red ►	AS0201
	Green ►	AS0202