

Matrix Arrow AP 01

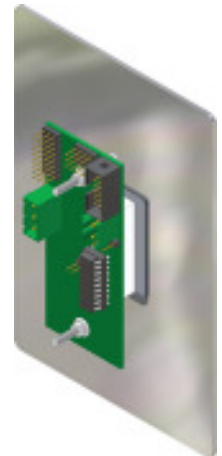
5 x 7 - 30



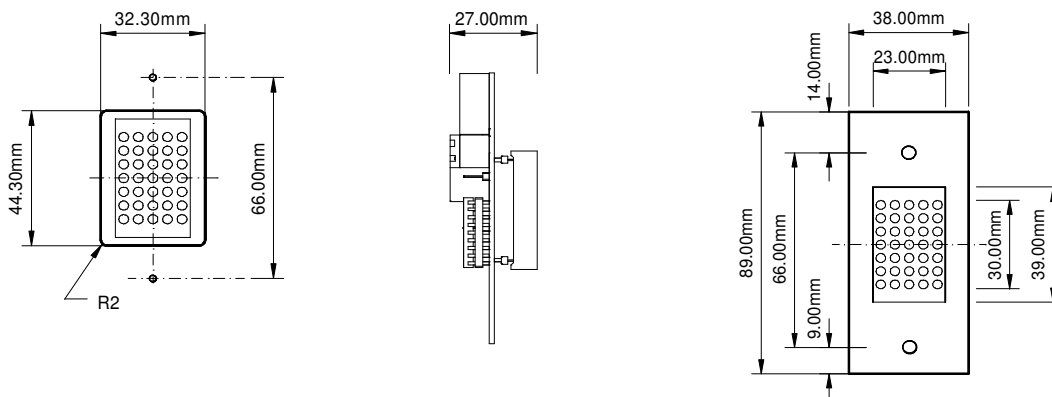
Display of actual and destination driving direction
 Symbol height 30 mm / 5 x 7 pixels
 Fluorescent colours red, green, blue
 Scrolling display
 Connection directly to control or to AX 10x7-30
 Especially narrow design for door case installation

Display is mounted by 2 welded-stud fasteners M 3 x 30 on the rear of the face plate.
 Thickness of face plate: 2 mm

Controls :	1 out of N
Supply Voltage:	12 – 24 V / DC
Power consumption:	12V approx. 90mA / 24V approx. 70mA
Connection:	Screw connectors , Ribbon cable / 10 pin for AX 10x7-30



Dimension Diagram



Cover plate cut-out

Installation depth with standard connection min. 45 mm

Matrix Arrow AP 01

Denomination Screw connectors	Pinconfiguration Ribbon cable 10 pin Connection AX 10x7-30
Startsignal (Controller)	7 = Arrow up
DN = Arrow down	8 = Arrow down
UP = Arrow up	9 = Minus (-)
	10 = Plus (+)

Matrix Arrow AP 5x7-30 Car direction, 30mm	Red ▶	AP0101
	Green ▶	AP0102
	Blue ▶	AP0103