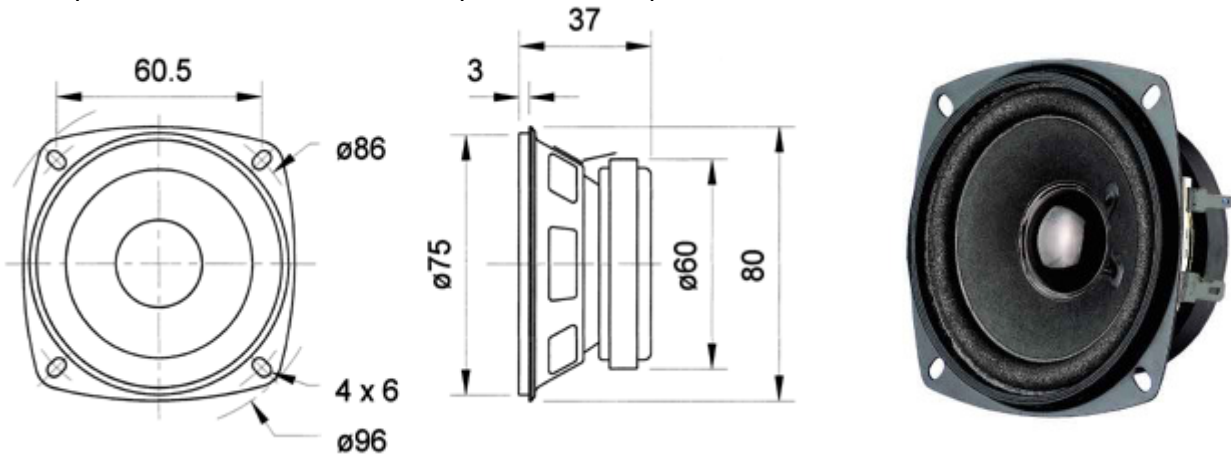


## Fullrange speaker LS 20/ 8

### Loudspeaker matching for voice modules SPL 12 Typ LS 20/ 8

The speaker is suitable as built-in speaker. On request we will deliver an assembled cable.



### Technical Data:

<b>Frequency response (-10 dB):</b>	130-20 000 Hz
<b>Resonance frequency fs:</b>	150 Hz
<b>Maximum power :</b>	15 W / 8 Ω
<b>Mean sound pressure level:</b>	86 dB (1 W/1 m)
<b>Measurements:</b>	Ø 80 x 37 mm
<b>Cutout diameter:</b>	Ø 75 mm
<b>Net weight:</b>	0,24 kg