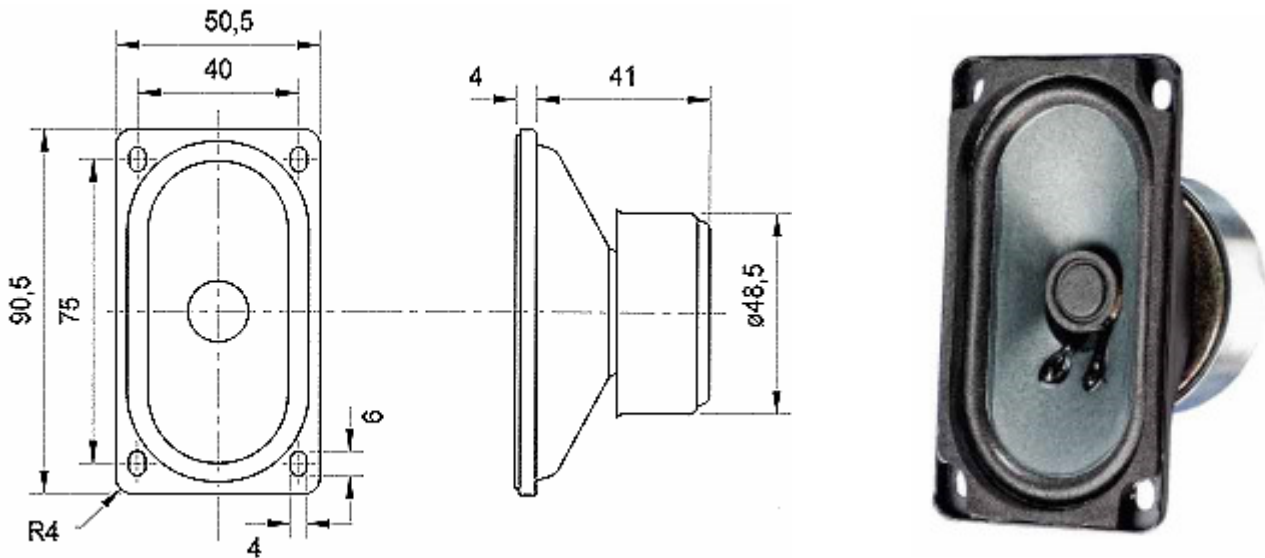


Loudspeaker LS 15

Loudspeaker matching for voice modules SPL 12, SPL 8, SPB 8 and SPB 24 Typ LS 15

The speaker is suitable as built-in speaker. On request we will deliver an assembled cable.



Technical Data

Frequency response:	130-20 000 Hz
Maximum power:	15 W / 8 Ω
Outside measurement:	90,5 x 50,5 mm
Install depth:	45 mm
Magnet:	\varnothing 48,5 mm